



In-Depth Survey Report

Removing mortar with a powered saw

Alan Echt, DrPH, CIH
Captain, U.S. Public Health Service

Chaolong Qi, PhD

Division of Applied Research and Technology
Engineering and Physical Hazards Branch
EPHB Report No. 358-20a

International Union of Bricklayers and Allied Craftworkers
Southern Ohio-Kentucky Regional Training Center

Batavia, Ohio

April, 2017

DEPARTMENT OF HEALTH AND HUMAN SERVICES
Centers for Disease Control and Prevention
National Institute for Occupational Safety and Health



Site Surveyed:

International Union of Bricklayers and Allied Craftworkers Southern Ohio-Kentucky
Regional Training Center, Batavia, Ohio

NAICS Code:

611513 Craft union apprenticeship training programs

Survey Dates:

March 29, 2016

Surveys Conducted By:

Alan Echt, DrPH, CIH
Captain, U.S. Public Health Service
Industrial Hygienist

Chaolong Qi, PhD
Associate Service Fellow
Environmental Engineer

Employer Representatives Contacted:

Freddie R. Hubbard, Sr.
Secretary-Treasurer Ohio-Kentucky Administrative District Council

Jeff Garnett
Apprentice Coordinator

Analytical Services Provided by:

Bureau Veritas North America
Novi, MI

Disclaimer

Mention of any company or product does not constitute endorsement by NIOSH. In addition, citations to websites external to NIOSH do not constitute NIOSH endorsement of the sponsoring organizations or their programs or products. Furthermore, NIOSH is not responsible for the content of these websites. All Web addresses referenced in this document were accessible as of the publication date.

Table of Contents

Disclaimer	iii
Abstract	v
Background	v
Assessment	v
Results	v
Conclusions and Recommendations	v
Introduction	1
Background for Control Technology Studies	1
Background for this Study	1
Plant and Process Description	3
Occupational Exposure Limits and Health Effects	6
Crystalline Silica Exposure Limits	7
Methodology	7
Results	11
Discussion	12
Conclusions and Recommendations	14
References	15
Appendix	19

Abstract

Background

Workplace exposure to respirable crystalline silica can cause silicosis, a progressive lung disease marked by scarring and thickening of the lung tissue. Crystalline silica is found in several construction materials, such as brick, block, mortar and concrete. Construction tasks that cut, break, grind, abrade, or drill those materials have been associated with overexposure to dust containing respirable crystalline silica. Tuckpointing (repointing) removes damaged mortar from joints in masonry walls and replaces it with new mortar to restore the wall. The use of grinders to remove mortar results in worker overexposure to respirable crystalline silica. NIOSH scientists are conducting a pilot study to assess the respirable crystalline silica exposures associated with mortar removal when tools other than grinders are used.

Assessment

NIOSH staff visited the Bricklayers and Allied Craftworkers Southern Ohio-Kentucky Regional Training Center, Batavia, Ohio on March 29, 2016 and performed industrial hygiene sampling, which measured exposures to respirable dust and respirable crystalline silica while an apprentice bricklayer used a powered saw with on-tool local exhaust ventilation to remove mortar from a brick wall. The NIOSH scientists also observed the work process in order to understand the conditions that contributed to the measured exposure and collected air flow data.

Results

Personal breathing zone respirable crystalline silica concentrations measured during 26 to 28-minute-long periods of mortar removal ranged from 0.056 to 0.15 mg/m³. Personal breathing zone respirable dust concentrations collected on filter samples ranged from 0.30 mg/m³ to 1.0 mg/m³. The lower value in both ranges was a sample result between the limit of detection (LOD) and limit of quantitation (LOQ), which is considered a trace value with limited confidence in its accuracy.

Conclusions and Recommendations

The powered saw tested here produced respirable quartz exposures less than those reported when grinders were used with local exhaust ventilation under similar test parameters. If the saw can remove mortar with the speed and quality required by contractors and is acceptable to workers, it represents an alternative to the use of grinders. However, if the saw was used for a full shift and dust levels remained constant, the highest quartz concentration measured, 0.15 mg/m³, would be 3 times the OSHA PEL and NIOSH REL, requiring the use of a respirator with an assigned protection factor of 10, such as an N-95 filtering facepiece respirator. On the other hand, a quartz exposure of 0.15 mg/m³ would permit a worker to use the saw under these conditions for up to 160 minutes in an 8-hour shift with no other exposures to quartz without exceeding the REL or PEL. Full-shift sampling on job sites should be conducted to validate these findings.

Introduction

Background for Control Technology Studies

The National Institute for Occupational Safety and Health (NIOSH) is the primary Federal agency engaged in occupational safety and health research. Located in the Department of Health and Human Services, it was established by the Occupational Safety and Health Act of 1970. This legislation mandated NIOSH to conduct a number of research and education programs separate from the standard setting and enforcement functions carried out by the Occupational Safety and Health Administration (OSHA) in the Department of Labor. An important area of NIOSH research deals with methods for controlling occupational exposure to potential chemical and physical hazards. The Engineering and Physical Hazards Branch (EPHB) of the Division of Applied Research and Technology has been given the lead within NIOSH to study the engineering aspects of health hazard prevention and control.

Since 1976, EPHB has conducted a number of assessments of health hazard control technology on the basis of industry, common industrial process, or specific control techniques. Examples of these completed studies include the foundry industry; various chemical manufacturing or processing operations; spray painting; and the recirculation of exhaust air. The objective of each of these studies has been to document and evaluate effective control techniques for potential health hazards in the industry or process of interest, and to create a more general awareness of the need for or availability of an effective system of hazard control measures.

These studies involve a number of steps or phases. Initially, a series of walk-through surveys is conducted to select plants or processes with effective and potentially transferable control concept techniques. Next, in-depth surveys are conducted to determine both the control parameters and the effectiveness of these controls. The reports from these in-depth surveys are then used as a basis for preparing technical reports and journal articles on effective hazard control measures. Ultimately, the information from these research activities builds the data base of publicly available information on hazard control techniques for use by health professionals who are responsible for preventing occupational illness and injury.

Background for this Study

Crystalline silica refers to a group of minerals composed of silicon and oxygen; a crystalline structure is one in which the atoms are arranged in a repeating three-dimensional pattern [Bureau of Mines 1992]. The three major forms of crystalline silica are quartz, cristobalite, and tridymite; quartz is the most common form [Bureau of Mines 1992]. Respirable crystalline silica refers to that portion of airborne crystalline silica dust that is capable of entering the gas-exchange regions of the lungs if inhaled; this includes particles with aerodynamic diameters less than approximately 10 micrometers (μm) [NIOSH 2002]. Silicosis, a fibrotic disease of

the lungs, is an occupational respiratory disease caused by the inhalation and deposition of respirable crystalline silica dust [NIOSH 1986]. Silicosis is irreversible, often progressive (even after exposure has ceased), and potentially fatal. Because no effective treatment exists for silicosis, prevention through exposure control is essential. Silicosis is associated with a higher risk of tuberculosis and other lung disease [Parks et al. 1999]. Silica has been classified as a known human carcinogen by the International Agency for Research on Cancer [IARC 1997]. Occupational exposure to respirable crystalline silica has been associated with autoimmune diseases, such as rheumatoid arthritis, and kidney disease [Parks et al. 1999, Stratta et al. 2001].

Crystalline silica is a constituent of several materials commonly used in construction, including brick, block, and concrete. Many construction tasks have been associated with overexposure to dust containing crystalline silica [Chisholm 1999, Flanagan et al. 2003, Rappaport et al. 2003, Woskie et al. 2002]. Among these tasks are tuckpointing, concrete cutting, concrete grinding, abrasive blasting, and road milling [Nash and Williams 2000, Thorpe et al. 1999, Akbar-Kanzadeh and Brillhart 2002, Glindmeyer and Hammad 1988, Linch 2002, Rappaport et al. 2003].

Tuckpointing (repointing) removes damaged mortar from joints in masonry walls and replaces it with new mortar to restore the wall and improve its resistance to the weather, prolonging its life and preventing water from penetrating the building envelope and causing damage to the structure [Gerns and Wegener 2003]. Mortar is typically removed to a depth of at least ¾-inch (in) (19 millimeters [mm]) using electric grinders, although hammers and chisels can be used [Gerns and Wegener 2003]. Other power tools are also available, including mortar routers, a die grinder with diamond tools, a hammer drill and mortar chisel, and a saw [Yasui et al. 2003, ICS 2016, Robert Bosch Tool Corporation 2016, Arbortech 2016]. Mortar mixes contain Portland cement, lime, and sand in various proportions depending on the strength required. Type N mortar, with a minimum required compressive strength of 750 pounds per square inch (PSI), is recommended for use in exterior, above grade walls and is durable and flexible enough to replace deteriorated mortar in most walls [IMI 2002, PCA 2002, Gerns and Wegener 2003].

The use of grinders to remove mortar results in worker exposure to respirable crystalline silica 2 to 1500 times the NIOSH Recommended Exposure Limit (REL) of 50 micrograms per cubic meter ($\mu\text{g}/\text{m}^3$) [OSHA 2013]. Even with engineering controls (i.e., on-tool local exhaust ventilation [LEV]), the use of a respirator with an assigned protection factor of 10 is still required [Collingwood and Heitbrink 2007]. In the Preliminary Economic Analysis for its Proposed Rule for Occupational Exposure to Respirable Crystalline Silica [OSHA 2013], the Occupational Safety and Health Administration (OSHA) reported the results of 151, 8-hour samples for respirable crystalline silica for tuckpointers in three exposure categories: outdoors, uncontrolled; outdoors, some form of LEV dust control; and, under other working conditions (e.g., with limited air movement, or with inadequate attempts at dust control). Respirable crystalline silica exposures for uncontrolled, outdoor tuckpointing (83 samples) ranged from 12 to 12,616 $\mu\text{g}/\text{m}^3$, with a mean of 1,601

$\mu\text{g}/\text{m}^3$ and a median of $631 \mu\text{g}/\text{m}^3$; 59 (71%) of the samples exceeded $250 \mu\text{g}/\text{m}^3$. Tuckpointers working outdoors with some form of LEV (56 samples) experienced respirable crystalline silica exposures from 10 to $6,196 \mu\text{g}/\text{m}^3$, with a mean of $368 \mu\text{g}/\text{m}^3$ and a median of $70 \mu\text{g}/\text{m}^3$. Fifteen (27%) of those samples were greater than five times the NIOSH REL. Workers tuckpointing in other conditions (12 samples) had respirable crystalline silica exposures from 146 to $75,153 \mu\text{g}/\text{m}^3$, with a mean of $7,198 \mu\text{g}/\text{m}^3$ and a median of $793 \mu\text{g}/\text{m}^3$. Ninety-two percent (11) of the samples in that category exceeded $250 \mu\text{g}/\text{m}^3$.

The tuckpointing study by Collingwood and Heitbrink [2007] reported several conditions that must be met in order for tool-mounted LEV on tuckpointing grinders to be effective, "The distance between the exhaust take-off and the uncut mortar must be minimized...the grinding wheel needs to be moved against its natural rotation so the debris is directed in the exhaust take-off...the worker must periodically stop grinding and take action to maintain [vacuum cleaner] airflow." The authors also noted that exposures increased when the distance between the tool-mounted LEV and the surface of the mortar increased, such as during plunge cuts, and when deteriorated, missing mortar provided a means for dust to escape. The OSHA sampling data for tuckpointers working outdoors with some form of LEV and the conditions that must be met for the LEV to be effective indicate that there is a need to either improve the LEV for grinders or identify tools other than grinders that may be used to remove mortar effectively and efficiently while minimizing tuckpointers' silica exposures. The intent of this site visit was to evaluate the use of a powered saw as a potential alternative to traditional tuckpointing with a grinder.

Plant and Process Description

The Related Technical Instruction (RTI) portion of the training for the different bricklayer trades is conducted at this facility. RTI includes classroom and practical instruction in tasks such as building and tuckpointing brick walls. A brick wall that was in the shape of a backwards letter F when viewed from above was built for this project outside the training center. The wall at the base of the F was an existing wall and was not included in the project. The wall is approximately 5 feet (ft) (1.5 meters [m]) high. The stem of the F is composed of two 10-ft (3 m) long sections, while the arm of the F is 11 ft (3.4m) long and the bar of the F is 6 ft (1.8 m) long. The wall was constructed of 18 courses of standard bricks and type N mortar. The mortar was allowed to cure for at least 21 days before it was removed. An apprentice bricklayer removed mortar from the wall while air samples were collected to assess his exposures to respirable dust and respirable crystalline silica. The apprentice initially wore a loose-fitting helmet continuous-flow air-line respirator (model 9903, Allegro Industries, Piedmont, SC), but switched to a full-facepiece air purifying respirator with P-100 cartridges (6000 Series, 3M, St. Paul, MN), work gloves, and work boots. The respirators were donned it correctly and appeared to be maintained properly.

The apprentice bricklayer removed mortar using an Arbortech AS 170 brick and mortar saw (Arbortech, Leominster, MA) with two general-purpose blades with tungsten-carbide teeth. Other blades are available, including plunge blades, switch

box blades, head joint blades, heritage blades, wood blades, and caulking blades. According to the manufacturer's literature, "The unique patented orbital action of two reciprocating blades, allows cutting of brick, mortar and masonry faster than traditional reciprocating saws." The apprentice was instructed to use the tool to remove mortar from bed joints and include inside corners. Samples were collected as described below while the apprentice bricklayer removed the mortar. The tool is shown in Figure 1.



Figure 1 - Arbortech AS170 saw (NIOSH photo)

The Arbortech saw is equipped with a "boot dust-extraction funnel" that surrounds the base of the blade and forms a slot hood around it at one end and may be connected to a vacuum-cleaner hose at the other end (Figure 2). The hood was connected to a pre-separator (model DC 2800, Dustcontrol, Inc., Wilmington, NC) and vacuum cleaner (model DC 2900eco, Dustcontrol, Inc, Wilmington, NC), equipped with a part number 42029 prefilter and part number 42027 class-H* final filter (Dustcontrol, Inc, Wilmington, NC). The pre-separator and vacuum cleaner are shown in Figure 3. The use of a cyclonic pre-separator has been shown to reduce the accumulation of dust and debris on the filter in the vacuum cleaner, which helps to maintain a steady airflow [Heitbrink and Santalla-Elias 2009].

* Filtration efficiency is 99.995%, according to standard EN 60335.



Figure 2 - Dust extraction hood in use (NIOSH photo)



Figure 3 - Pre-separator (left) and vacuum cleaner (NIOSH photo)

Occupational Exposure Limits and Health Effects

As a guide to the evaluation of the hazards posed by workplace exposures, NIOSH investigators use mandatory and recommended occupational exposure limits (OELs) when evaluating chemical, physical, and biological agents in the workplace. Generally, OELs suggest levels of exposure to which most workers may be exposed up to 10 hours per day, 40 hours per week for a working lifetime without experiencing adverse health effects. It is, however, important to note that not all workers will be protected from adverse health effects even though their exposures are maintained below these levels. A small percentage may experience adverse health effects because of individual susceptibility, a pre-existing medical condition, and/or hypersensitivity (allergy). In addition, some hazardous substances may act in combination with other workplace exposures, the general environment, or with medications or personal habits of the worker to produce health effects even if the occupational exposures are controlled at the level set by the exposure limit. Combined effects are often not considered in the OEL. Also, some substances are absorbed by direct contact with the skin and mucous membranes, and thus can increase the overall exposure. Finally, OELs may change over the years as new information on the toxic effects of an agent become available.

Most OELs are expressed as a time-weighted average (TWA) exposure. A TWA exposure refers to the average airborne concentration of a substance during a normal 8- to 10-hour workday. Some substances have recommended short-term exposure limit (STEL) or ceiling values which are intended to supplement the TWA where there are recognized toxic effects from higher exposures over the short-term.

In the U.S., OELs have been established by Federal agencies, professional organizations, state and local governments, and other entities. The U.S. Department of Labor OSHA PELs [CFR 2003] are occupational exposure limits that are legally enforceable in covered workplaces under the Occupational Safety and Health Act. NIOSH recommendations are based on a critical review of the scientific and technical information available on the prevalence of health effects, the existence of safety and health risks, and the adequacy of methods to identify and control hazards [NIOSH 1992]. They have been developed using a weight of evidence approach and formal peer review process. Other OELs that are commonly used and cited in the U.S. include the Threshold Limit Values[®] (TLVs[®]) recommended by the American Conference of Governmental Industrial Hygienists (ACGIH[®]), a professional organization [ACGIH 2016]. ACGIH TLVs are considered voluntary guidelines for use by industrial hygienists and others trained in this discipline "to assist in the control of health hazards." Workplace Environmental Exposure Levels (WEELs) are recommended OELs developed by the American Industrial Hygiene Association, another professional organization. WEELs have been established for some chemicals "when no other legal or authoritative limits exist." [AIHA 2007].

OSHA requires an employer to furnish employees a place of employment that is free from recognized hazards that are causing or are likely to cause death or

serious physical harm [Occupational Safety and Health Act of 1970, Public Law 91–596, sec. 5(a)(1)]. Thus, employers are required to comply with OSHA PELs. Some hazardous agents do not have PELs, however, and for others, the PELs do not reflect the most current health-based information. Thus, NIOSH investigators encourage employers to consider the other OELs in making risk assessment and risk management decisions to best protect the health of their employees. NIOSH investigators also encourage the use of the traditional hierarchy of controls approach to eliminating or minimizing identified workplace hazards. This includes, in preferential order, the use of: (1) substitution or elimination of the hazardous agent, (2) engineering controls (e.g., local exhaust ventilation, process enclosure, dilution ventilation) (3) administrative controls (e.g., limiting time of exposure, employee training, work practice changes, medical surveillance), and (4) personal protective equipment (e.g., respiratory protection, gloves, eye protection, hearing protection).

Crystalline Silica Exposure Limits

When dust controls are not used or maintained or proper practices are not followed, respirable crystalline silica exposures can exceed the NIOSH REL, the OSHA PEL, or the ACGIH TLV. NIOSH recommends an exposure limit for respirable crystalline silica of 0.05 mg/m³ as a TWA determined during a full-shift sample for up to a 10-hr workday during a 40-hr workweek to reduce the risk of developing silicosis, lung cancer, and other adverse health effects [NIOSH 2002]. When substituting less hazardous materials for crystalline silica (where feasible) and source controls cannot keep exposures below the NIOSH REL, NIOSH also recommends minimizing the risk of illness that remains for workers exposed at the REL by using appropriate respiratory protection, and by making medical examinations available to exposed workers [NIOSH 2002]. In March 2016, OSHA issued a new PEL of 0.05 mg/m³ for 8-hr TWA exposures [81 Fed. Reg.† 16285 (2016)]. The ACGIH TLV for α -quartz and cristobalite (respirable fraction) is 0.025 mg/m³ [ACGIH 2016]. The TLV is intended to mitigate the risk of pulmonary fibrosis and lung cancer.

Methodology

Personal breathing zone (PBZ) and area air samples for respirable dust and respirable crystalline silica were collected while an apprentice bricklayer used a powered saw to remove mortar from the brick wall at the training center. The apprentice bricklayer repeated the mortar removal process during four sampling periods, each approximately 26 minutes long.

Personal breathing zone air samples for respirable particulate were collected at a flow rate of 9 liters/minute (L/min) using a battery-powered sampling pump (Leland Legacy sampling pump, SKC, Inc., Eighty-Four, PA) calibrated before and after sampling. A sampling pump was clipped to the apprentice's belt. The pump was connected via Tygon® tubing fitting to a pre-weighed, 47-mm diameter, 5-micron

† *Federal Register*. See Fed. Reg. in references.

(μm) pore-size polyvinyl chloride (PVC) filter supported by a backup pad in a three-piece conductive filter cassette sealed with a cellulose shrink band (in accordance with NIOSH Methods 0600 and 7500) [NIOSH 1998, NIOSH 2003]. The front cover of the cassette was removed and the cassette was attached to a respirable dust cyclone (BGI GK 4.162 cyclone, MesaLabs, Butler, NJ). At a flow rate of 9 L/min, the GK 4.162 cyclone has a 50% cut point of (D_{50}) of 3.91 μm , and conforms to the respirable sampling convention at flow rates between 8.5 and 9.5 liters per minute [HSL 2012]. D_{50} is the aerodynamic diameter of the particle at which penetration into the cyclone declines to 50% [Vincent 2007]. The cyclone was clipped to the apprentice's sweatshirt near his head and neck within the breathing zone (Figure 4). Area air samples were collected using the same sampling method, except that the sampling pump and cyclone were placed in holders mounted atop two tripods at about breathing zone height, 60 in (1.5 m) above the ground. A tripod with the sampling apparatus was placed at either end of the brick wall. A bulk sample of mortar dust was also collected in accordance with NIOSH Method 7500 [NIOSH 2003].



Figure 4 – Cyclone sampler in the breathing zone (NIOSH photo)

The filter samples were analyzed for respirable particulates according to NIOSH Method 0600 [NIOSH 1998]. The filters were allowed to equilibrate for a minimum of two hours before weighing. A static neutralizer was placed in front of the balance and each filter was passed over this device before weighing. The filters were weighed on an analytical balance (model MT5, Mettler-Toledo, LLC, Columbus, OH).

The limit of detection (LOD) was 30 µg/sample. The limit of quantitation (LOQ) was 98 µg/sample.

Crystalline silica analysis of the respirable particulate samples was performed using X-ray diffraction according to NIOSH Method 7500 [NIOSH 2003] with modifications. Each filter was removed from the air cassette and folded two times into a quarter pie-shaped pocket to contain the particulate inside. A drop of 2-propanol was added to the inside of the cassette lid and the back side of the sample filter was used to wipe the interior of the sampling cassette. The filters were placed into individual disposable borosilicate glass test tubes. The filters were dissolved by addition of 7 mL of tetrahydrofuran (THF) to each sample tube. The samples were mixed by vortex. The sample tubes were covered with aluminum foil and placed in an ultrasonic bath for ten minutes. The sample suspensions were transferred to silver-membrane filters, as described: First, a silver-membrane filter was placed in the vacuum filtration unit. Next, 2 mL of THF solvent was placed onto the filter. The sample suspension was vortexed and immediately added onto the silver membrane filter. The sample tube was rinsed with three separate portions of 2 mL THF. Each rinse was added to the sample on top of the silver membrane filter. Finally, vacuum was applied to deposit the sample suspension onto the filter. The silver-membrane filter was transferred to an aluminum sample plate and placed in the automated sample changer for analysis by X-ray diffraction. The LOD for quartz on a 47-mm PVC 5 µm filter was 5 µg/sample. The LOQ was 17 µg/sample. The LOD and LOQ for cristobalite were the same as those for quartz. For tridymite, the LOD was 10 µg/sample and the LOQ was 33 µg/sample.

In this sample set, the maximum air sample volume collected was 249 L. At the LOD for quartz of 5 µg/sample, the minimum detectable quartz concentration was 0.02 mg/m³, less than half of the NIOSH REL of 0.05 mg/m³. The minimum quantifiable quartz concentration at the LOQ of 17 µg/sample was 0.068 mg/m³, or about 1.4 times the NIOSH REL of 0.05 mg/m³.

Approximately 1 g of the bulk sample was ground to a fine powder using a mortar and pestle. The ground powder was wet sieved through a 10 µm sieve using 2-propanol. The alcohol was evaporated in a drying oven. Approximately 2 mg of sieved-dried sample was weighed into a 15-mL test tube. Approximately 10 mL of 2-propanol was added into the test tube to create a suspension. The test tube was placed in an ultrasonic bath for about 10 minutes until agglomerated particles were broken up. The sample suspension was vortexed and immediately re-deposited onto a 25-mm diameter silver membrane filter, as follows: First, a silver membrane filter was placed in the vacuum filtration unit. Next, 2 mL of 2-propanol was added to the filtration funnel, followed by the sample suspension and test tube rinses. Finally, vacuum was applied to re-deposit the suspension onto the filter. The silver membrane filter was transferred to an aluminum sample plate and placed in the automated sample changer for analysis by X-ray diffraction. The LOD for quartz was 0.3% by weight and the LOQ for quartz was 0.83% by weight. The LOD and LOQ for cristobalite were the same as those for quartz. The LOD for tridymite was 0.5% by weight and the LOQ was 1.7% by weight.

Real-time PBZ respirable dust sampling was performed using an aerosol photometer (SidePak AM510 aerosol monitor, TSI Inc., Shoreview, MN) with a 10-mm nylon respirable dust cyclone. The instrument's internal sampling pump was calibrated before and after each day's use to operate at a flow rate of 1.7 L/min. The SidePak was clipped to the worker's belt and the cyclone was clipped to his sweatshirt in his breathing zone. A length of Tygon tubing connected the cyclone and the instrument. The SidePak was set to log data every second during the sampling period.

The NIOSH researchers used a data-logging weather station (Kestrel 4500, Nielsen-Kellerman, Boothwyn, PA) mounted on top of a tripod to assess weather conditions at the site. The weather meter was approximately 60 in (1.5 m) off the ground. The weather meter was programmed to record data every 10 minutes. Airport weather observations were gathered from the Internet as a back-up.

Following the site visit, the airflow through the system consisting of the saw, pre-separator, and vacuum cleaner was measured in the laboratory (Figure 5) by inserting a delta tube (model 307BZ-11-A0, Midwest Instrument, Sterling Heights, MI) in line in the hose between the saw and the pre-separator, approximately 3 hose diameters downstream from the saw and more than 10 diameters upstream of the pre-separator. The differential pressure across the delta tube was measured with a VelociCalc 9555-P Multi-Function Ventilation Meter (TSI Inc., Shorewood, MN). Readings were recorded with the saw running and blades in place.



Figure 5 - Flow measurement set up

Results

The bulk sample of brick and mortar dust contained 45% quartz by weight. No cristobalite or tridymite were found in the bulk dust sample. The results of personal breathing zone air sampling are presented in Tables 1 and 2 below. No cristobalite or tridymite were found in any of the air samples. No quartz was found in any of the area air samples. Personal breathing zone quartz concentrations ranged from 0.056 mg/m³ to 0.15 mg/m³. The lower value in the range was a sample result between the LOD and LOQ, which is considered a trace value with limited confidence in its accuracy. No respirable dust was detected in any of the area air samples. Personal breathing zone respirable dust concentrations collected on filter samples ranged from 0.030 mg/m³ to 1.0 mg/m³. Like the quartz results, the lower value in the range was a sample result between the LOD and LOQ, which is considered a trace value with limited confidence in its accuracy. Average real-time personal breathing zone respirable dust samples during each sampling period ranged from 0.129 mg/m³ to 0.486 mg/m³. Detailed sampling results are reported in the Appendix. The direct-reading respirable dust results were consistently lower than the filter samples. The differences in the respirable dust results from the two sampling methods were statistically significant (p = 0.0149). The reasons for the differences are unclear, but may be due in part to the way the direct reading instrument responds to particles.

Table 1 – Respirable Dust and Respirable Quartz Results

Sampling Period	Start	Stop	Duration (min)	Respirable Dust (mg/m ³)	Respirable Quartz (mg/m ³)
1	10:00	10:28	28	(0.30)	(0.056)
2	10:44	11:11	27	0.71	0.15
3	12:16	12:42	26	1.0	0.13
4	12:54	13:20	26	0.99	0.099

Notes: values in parentheses indicate results between the limit of detection and the limit of quantification. These are trace values with limited confidence in their accuracy.

Table 2 – Direct-Reading Respirable Dust Results

Sampling Period	Start	Stop	Duration (min)	Average (mg/m ³)	Minimum (mg/m ³)	Maximum (mg/m ³)
1	10:00	10:27	27	0.129	<0.001	9.858
2	10:44	11:11	27	0.230	0.008	6.126
3	12:16	12:42	26	0.486	0.002	18.147
4	12:54	13:20	26	0.484	0.008	9.474

The weather meter data was unavailable for analysis due to an operator error. Weather data from Clermont County Airport in Batavia, Ohio were used instead. The airport recorded data about every 20 minutes. Weather data are presented in Table 3. The average temperature corresponding to the four sampling periods was 49.1 °F (9.5 °C) (range 45.1 °F [7.3 °C] to 51.8 °F [11 °C]), while the average

wind speed was 7.7 miles per hour (mph) (3.4 m/second) (range 4.6 mph [2.1 m/s] to 12.7 mph [5.7 m/s]) and the average relative humidity was 48.8% (range 38% to 63%).

Table 3 – Weather Data

Time	Temperature (°F)	Relative Humidity (%)	Wind Direction	Wind Speed (mph)
10:35	45.1	63	NE	5.8
10:54	46.6	59	ENE	4.6
11:14	48.2	54	NE	5.8
11:35	48.2	52	NE	6.9
11:54	48.6	51	N	4.6
12:14	50.7	44	E	9.2
12:35	51.3	40	NNE	10.4
12:54	51.6	38	NE	12.7
13:15	51.8	38	N	9.2

During the first sampling period, the apprentice removed the mortar from the bed joints from nine courses of mortar, each 11 ft (3.4 m) long, that were incorporated into an area of the wall of approximately 22 square feet (ft²) (2 m²). He removed the mortar from the bed joints of ten 10 ft (3.0 m) long courses of mortar during the second sampling period, approximately 22.5 ft² (2.1 m²). During the third sampling period, the apprentice removed mortar from eleven courses about 10 ft (3.0 m) long, about 24 ft² (2.2 m²). During the fourth sampling period, the apprentice removed mortar from the bed joints on both sides of an inside corner, including five courses about 6 ft (1.8 m) long on the left side and 14 courses about 6 ft long (1.8 m) on the right side, approximately 5.5 ft² (0.51 m²) on the left and 18.6 ft² (1.7 m²) on the right.

Air flow through the dust control system was 81 cubic feet per minute (cfm) (2.3 cubic meters per minute [m³/min]). The hose between the saw and the pre-separator was 1.5 in (38 mm) in diameter and 15 ft (5m) long. The calculated average velocity in a 1.5 in (38 mm) diameter hose at a flow rate of 81 cfm (2.3 m³/min) is approximately 6600 feet per minute (fpm) (34 m/sec).

Discussion

The saw with local exhaust ventilation was able to remove mortar from bed joints while producing less respirable dust and respirable quartz than a grinder with or without LEV. For example, Meeker et al. [2009] evaluated two tuck-pointing grinders with and without LEV. Trials with LEV lasted about 25 minutes. The mean PBZ respirable quartz concentration for one grinder was 0.47 mg/m³ (range 0.28

mg/m³ – 0.85 mg/m³); for the other grinder, the mean PBZ respirable quartz concentration was 0.33 mg/m³ (range 0.19 mg/m³ – 0.50 mg/m³) [Meeker et al. 2009]. In comparison, the mean PBZ respirable quartz concentration for the saw tested here was 0.11 mg/m³. That represents a 77% reduction compared to one of the LEV-equipped grinders and a 67% reduction compared to the other LEV-equipped grinder in the Meeker et al. [2009] study. However, even with that reduction, if the saw was used for a full shift and dust levels remained constant and consistent with those observed in this site visit, the highest quartz concentration measured during use of the saw, 0.15 mg/m³ would be 3 times the OSHA PEL and NIOSH REL. That exposure would require the use of a respirator with an assigned protection factor of 10, such as an N-95 filtering facepiece respirator. On the other hand, a quartz exposure of 0.15 mg/m³ would permit a worker to use the saw under these conditions for up to 160 minutes in an 8-hour shift with no other exposures to quartz without exceeding the REL or PEL. Finally, a wind speed of 7.7 mph (3.4 m/s) may have had some effect on the results, but there are not enough data to make that determination. Further tests may be carried out indoors, if that is feasible. The distance between the “boot dust-extraction funnel” and the surface of the wall varies, depending upon which blade is used and how deeply the blade entered the wall (i.e., removing brick or removing mortar). Using a vacuum cleaner with a higher flow rate or adding a flange to the hood might improve the collection efficiency of the hood and somewhat offset the loss of capture velocity due to the distance between the hood entry and the wall surface. As the distance increases between the hood inlet and the desired point of capture (e.g., when the blade is first applied to the mortar surface), adding a flange around a hood opening decreases the flow rate required to achieve the required capture velocity, or increases the capture velocity at a given flow rate by about 25% [ACGIH 2013]. Figure 6 illustrates how adding a flange increases the distance from the hood at which the face velocity at the opening can be maintained [ACGIH 2013]. For most applications, the width of the flange should be the square root of the hood area [ACGIH 2013]. The transport velocity of 6600 fpm (34 m/sec) should prevent clogging due to dust settling in the duct. The ACGIH industrial ventilation manual recommends a transport velocity of 3500 to 4000 fpm for “average industrial dust” (e.g., granite or limestone dust, brick cuttings, silica flour) [ACGIH 2013].

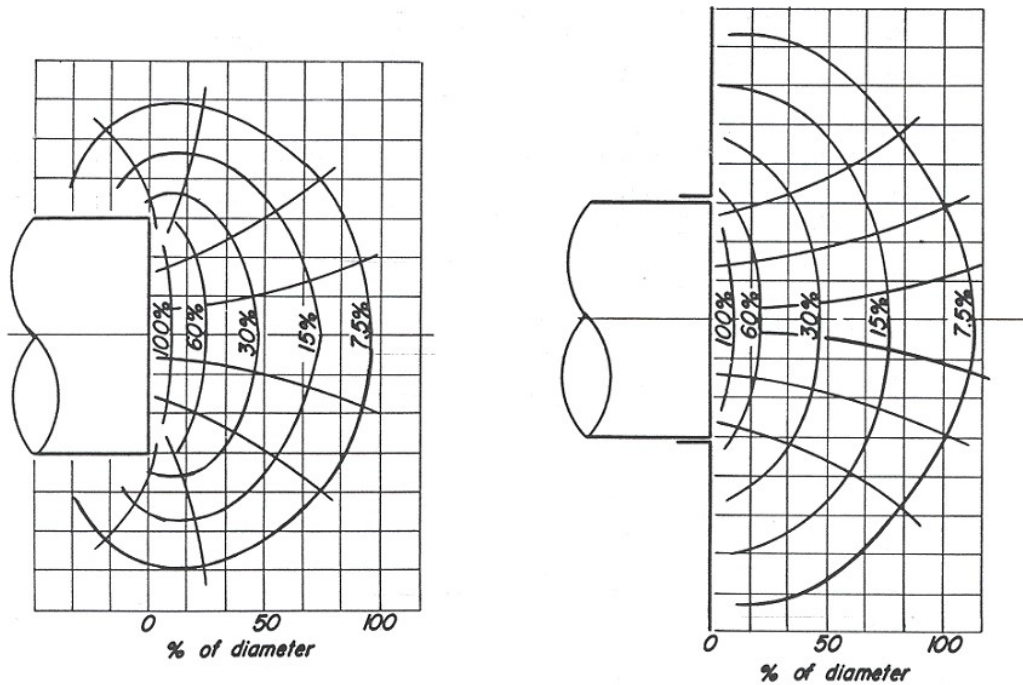


Figure 6 - Velocity contours as the percent of the velocity at the opening for a plain and flanged opening [ACGIH 2013]

Conclusions and Recommendations

The saw with LEV produced respirable quartz exposures less than those reported when grinders were used with LEV. If the saw can remove mortar with the speed and quality required by contractors and is acceptable to workers, it represents an alternative to the use of grinders. However, if the observed short-term exposure concentrations are representative of those expected over a full shift, tuckpointing with the saw and on-tool LEV will require the use of a respirator. Full-shift sampling should be conducted while the saw is used by trained bricklayers on enough job sites to determine how well this tool works under actual working conditions.

References

81 Fed. Reg. 16285 [2016]. Occupational Safety and Health Administration: occupational exposure to respirable crystalline silica; final rule. (To be codified at 29 CFR 1926.1153).

ACGIH [2013]. Industrial ventilation – a manual of recommended practice for design. 28th ed. Cincinnati, OH: American Conference of Governmental Industrial Hygienists.

ACGIH [2016]. 2016 TLVs® and BEIs®: threshold limit values for chemical substances and physical agents and biological exposure indices. Cincinnati, OH: American Conference of Governmental Industrial Hygienists.

AIHA [2007]. 2007 Emergency Response Planning Guidelines (ERPG) & Workplace Environmental Exposure Levels (WEEL) Handbook. Fairfax, VA: American Industrial Hygiene Association.

Akbar-Khanzadeh F, Brillhart RL [2002]. Respirable crystalline silica dust exposure during concrete finishing (grinding) using hand-held grinders in the construction industry. *Ann Occup Hyg* 46: 341-346.

Arbortech [2016]. AS 170 brick+mortar saw. [<http://www.as170.com/index2.html>].

Bureau of Mines [1992]. Crystalline silica primer. Washington, DC: U.S. Department of the Interior, Bureau of Mines, Branch of Industrial Minerals, Special Publication.

CFR [2003]. 29 CFR 1910.1000. Code of Federal Regulations. Washington, DC: U.S. Government Printing Office, Office of the Federal Register.

Chisholm J [1999]. Respirable dust and respirable silica concentrations from construction activities. *Indoor Built Environ* 8: 94-106.

Collingwood S, Heitbrink WA [2007]. Field evaluation of an engineering control for respirable crystalline silica exposures during mortar removal. *Journal of Occupational and Environmental Hygiene* 4(11): 875 – 887.
<http://dx.doi.org/10.1080/15459620701665720>.

Flanagan ME, Seixas N, Majar M, Camp J, Morgan M [2003]. Silica dust exposures during selected construction activities. *AIHA Journal* 64: 319-328.

Gerns EA, Wegener TR [2003]. Repointing historic masonry structures. *ASTM Standardization News*. August.
[\[http://www.astm.org/SNEWS/AUGUST_2003/gerweg_aug03.html\]](http://www.astm.org/SNEWS/AUGUST_2003/gerweg_aug03.html).

Glindmeyer HW, Hammad YY [1988]. Contributing factors to sandblasters' silicosis: inadequate respiratory protection equipment and standards. *J Occup Med*. 30: 917-921.

Heitbrink WA, Santalla-Elias J [2009]. The Effect of debris accumulation on and filter resistance to airflow for four commercially available vacuum cleaners. *Journal of Occupational and Environmental Hygiene* 6(6):374 — 384.

HSL [2012]. Evaluation of the penetration characteristics of a high flow rate personal cyclone sampler for NIOSH. Report ECM/2011/03. Buxton, UK: Health and Safety Laboratory.

IARC [1997]. Silica. In: IARC monographs on the evaluation of the carcinogenic risk of chemicals to humans. Vol 68: silica and some silicates. Lyon: International Agency for Research on Cancer.

ICS [2016]. Diamond glitter bits - router bits
[http://www.icscompany.net/tuck_point_bit.htm].

IMI [2002]. Repointing masonry walls. Technology Brief. October.
<http://imiweb.org/wp-content/uploads/2015/10/06.02-Repointing-Masonry-Walls.pdf>

Linch, KD [2002]. Respirable concrete dust-silicosis hazard in the construction industry. *Appl Occup Environ Hyg*, 17:209-221.

Meeker JD, Cooper MR, Lefkowitz D, Susi P [2009]. Engineering control technologies to reduce occupational silica exposures in masonry cutting and tuckpointing. *Public Health Reports* 124(Supplement 1): 101–111.

Nash NT, Williams DR [2000]. Occupational exposure to crystalline silica during tuckpointing and the use of engineering controls. *Appl Occup Environ Hyg*, 15:8–10.

NIOSH [1986]. Occupational respiratory diseases. Cincinnati, OH: U.S. Department of Health and Human Services, Public Health Service, Centers for Disease Control, National Institute for Occupational Safety and Health, DHHS (NIOSH) Publication No. 86-102.

NIOSH [1992]. Recommendations for occupational safety and health: compendium of policy documents and statements. Cincinnati, OH: U.S. Department of Health and Human Services, Public Health Service, Centers for Disease Control and Prevention, National Institute for Occupational Safety and Health, DHHS (NIOSH) Publication No. 92-100.

NIOSH [1998]. Particulates not otherwise regulated, respirable. NIOSH Manual of Analytical Methods (NMAM®), 4th ed., 2nd Supplement, Schlecht, P.C. & O'Connor, P.F. Eds. Cincinnati, OH: U.S. Department of Health and Human Services, Public Health Service, Centers for Disease Control and Prevention, National Institute for Occupational Safety and Health, DHHS (NIOSH) Publication No. 98-119.

NIOSH [2002]. NIOSH Hazard Review: Health Effects of Occupational Exposure to Respirable Crystalline Silica. Cincinnati, OH: U.S. Department of Health and Human Services, Public Health Service, Centers for Disease Control and Prevention, National Institute for Occupational Safety and Health, DHHS (NIOSH) Publication No. 2002-129.

NIOSH [2003]. Silica, crystalline, by XRD (filter redeposition). NIOSH Manual of Analytical Methods (NMAM®), 4th ed., 3rd Supplement, Schlecht, P.C. & O'Connor, P.F. Eds. Cincinnati, OH: U.S. Department of Health and Human Services, Public Health Service, Centers for Disease Control and Prevention, National Institute for Occupational Safety and Health, DHHS (NIOSH) Publication No. 2003-154.

OSHA [2013]. Preliminary economic analysis and initial regulatory flexibility analysis. Supporting document for the notice of proposed rulemaking for occupational exposure to crystalline silica. Washington, DC: U.S. Department of Labor, Occupational Safety and Health Administration.

Parks CG, Conrad K, Cooper GS [1999]. Occupational exposure to crystalline silica and autoimmune disease. *Environmental Health Perspectives* 107, Supplement 5: 793-802.

PCA [2002]. Masonry information mortar cement: product data sheet. September. PCA Publication Code IS281.02, Skokie, IL: Portland Cement Association. [http://www.cement.org/docs/default-source/fc_mat-app_pdfs/masonry/is281-mortar-cement-product-data-sheet.pdf?sfvrsn=6]

Rappaport SM, Goldberg M, Susi P, Herrick RF [2003]. Excessive exposure to silica in the U.S. construction industry. *Ann Occup Hyg* 47: 111-122.

Robert Bosch Tool Corporation [2016]. 1/4 In. Mortar Knife SDS-plus® Bulldog™ Hammer Steel. [<https://www.boschtools.com/ca/en/boschtools-ocs/sds-plus®-bulldog™-xtreme-hammer-steel-hs1400-117841-p/>]. February 8.

Stratta P, Canavese C, Messuerotti A, Fenoglio I, Fubini B [2001]. Silica and renal diseases: no longer a problem in the 21st century? *J Nephrol* 14: 228-247.

Thorpe A, Ritchie AS, Gibson MJ, Brown RC [1999]. Measurements of the effectiveness of dust control on cut-off saws used in the construction industry. *Ann Occup Hyg* 43: 443-456.

Vincent JH [2007]. *Aerosol sampling*. Chichester, West Sussex, England: John Wiley&Sons, Ltd. Pp. 203.

Woskie SR, Kalil A, Bello D, Virji MA [2002]. Exposures to quartz, diesel, dust, and welding fumes during heavy and highway construction. *AIHA Journal* 63: 447-457.

Yasui S, Susi P, McClean M, Flynn M [2003]. Assessment of silica exposure and engineering controls during tuckpointing, *Applied Occupational and Environmental Hygiene* 18(12): 977–984. <http://dx.doi.org/10.1080/714044186>.

Appendix

Table A-1 Quartz Sampling Results

Sampling Period	Type	Quartz (ug/sample)	Start	Stop	Duration (min)	Vol (L)	Quartz (mg/m3)	% Quartz in Sample
1	pbz	(14)	10:00	10:28	28	249.2	(0.056)	19
2	pbz	35	10:44	11:11	27	240.3	0.15	21
3	pbz	31	12:16	12:42	26	231.4	0.13	13
4	pbz	23	12:54	13:20	26	231.4	0.099	10
1	area	ND	10:00	10:27	27	240.3	–	–
1	area	ND	10:00	10:28	28	249.2	–	–
2	area	ND	10:44	11:12	28	249.2	–	–
2	area	ND	10:44	11:12	28	249.2	–	–
3	area	ND	12:16	12:42	26	231.4	–	–
3	area	ND	12:16	12:42	26	231.4	–	–
4	area	ND	12:55	13:21	26	231.4	–	–
4	area	ND	12:54	13:21	27	240.3	–	–

Notes: µg means micrograms, L means liters, min means minutes, and mg/m³ means milligrams per cubic meter. Numbers in parentheses were between the limit of detection and the limit of quantitation. These are trace values with limited confidence in their accuracy. ND indicates a result less than the limit of detection. Pbz means a personal breathing zone sample.

Table A-2 Respirable Dust Sampling Results

Sampling Period	Type	Respirable Dust (ug/sample)	Start	Stop	Duration (min)	Vol (L)	Respirable Dust mg/m ³
1	pbz	(74)	10:00	10:28	28	249.2	(0.30)
2	pbz	170	10:44	11:11	27	240.3	0.71
3	pbz	240	12:16	12:42	26	231.4	1.0
4	pbz	230	12:54	13:20	26	231.4	0.99
1	area	ND	10:00	10:27	27	240.3	–
1	area	ND	10:00	10:28	28	249.2	–
2	area	ND	10:44	11:12	28	249.2	–
2	area	ND	10:44	11:12	28	249.2	–
3	area	ND	12:16	12:42	26	231.4	–
3	area	ND	12:16	12:42	26	231.4	–
4	area	ND	12:55	13:21	26	231.4	–
4	area	ND	12:54	13:21	27	240.3	–

Notes: µg means micrograms, L means liters, min means minutes, and mg/m³ means milligrams per cubic meter. Numbers in parentheses were between the limit of detection and the limit of quantitation. These are trace values with limited confidence in their accuracy. ND indicates a result less than the limit of detection. Pbz means a personal breathing zone sample.



**Delivering on the Nation's promise:
Safety and health at work for all people
through research and prevention.**

To receive NIOSH documents or other information about occupational safety and health topics, contact NIOSH at

1-800-CDC-INFO (1-800-232-4636)

TTY: 1-888-232-6348

E-mail: cdcinfo@cdc.gov

or visit the NIOSH Web site at www.cdc.gov/niosh

For a monthly update on news at NIOSH, subscribe to NIOSH eNews by visiting www.cdc.gov/niosh/eNews

SAFER • HEALTHIER • PEOPLE